



• ED8020 Series.

DC Brushless fan.

Size: 80 x 80 x 20 mm

3.15 x 0.8 Inches.

Airflow: Max. 40 CFM / 1.1 m³/min

Plastic Impeller / Plastic Frame.

Model No.	Rated Voltage	Voltage Range	Input Power	Rated Current	Ref Speed	Max. Airflow		Max. Static Pressure		Noise Level	PQ Curves
	VDC	VDC	Watt	Amp	RPM	CFM	m ³ /min	Inch/H ₂ O	mm/H ₂ O	dB (A)	
ED8020-05H	5	4~6	1.4	0.28	3400	40	1.1	0.18	4.57	36	H
ED8020-05M	5	4~6	1.0	0.20	2800	32	0.9	0.11	2.79	29	M
ED8020-05L	5	4~7	0.8	0.15	2400	27	0.8	0.09	2.29	25	L
ED8020-12H	12	7~13.8	2.2	0.18	3400	40	1.1	0.18	4.57	36	H
ED8020-12M	12	7~13.8	1.8	0.15	2800	32	0.9	0.11	2.79	29	M
ED8020-12L	12	7~14	1.4	0.12	2400	27	0.8	0.09	2.29	25	L
ED8020-24H	24	12~27.6	2.9	0.12	3400	40	1.1	0.18	4.57	31	H
ED8020-24M	24	12~27.6	2.4	0.1	2800	32	0.9	0.11	2.79	29	M
ED8020-24L	24	12~28	2.0	0.08	2400	27	0.8	0.09	2.29	25	L
ED8020-48H	48	24~55	3.8	0.08	3400	40	1.1	0.18	4.57	36	H

** = "BL" for wire lead type Ball bearing Type.

•We reserve the right to change data and improve electrical & mechanical design without notice. data tolerance +-10%

Motor

Motor Type: Brushless DC Motor, auto cutoff, auto restart optional only

Burnout Protection: Electronically protected, polarity protected
IP Protection: Ratings on request

Mechanical

Frame: Glass fiber reinforced thermoplastic, rated UL94V-0
Impeller: 7 blades, glass fiber reinforced plastic, rated UL94V-0
Bearing: Two ball bearings
Rotation: CCW seen on rotor
Connection: Wire lead
Weight: 76 g (0.167 Lbs)

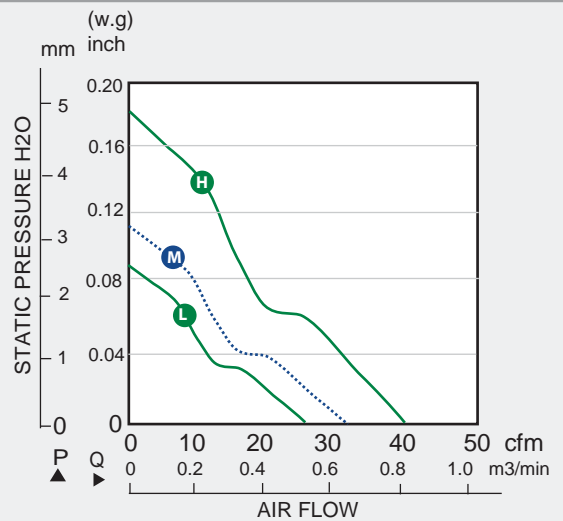
Electrical

Dielectric Strength: 500 VAC/min. Max leakage 500mA
Speed Control: Optional: PWM, S/C NTC thermister on request
Signal Output: Optional: R/D alarm output, tachometer output F/G

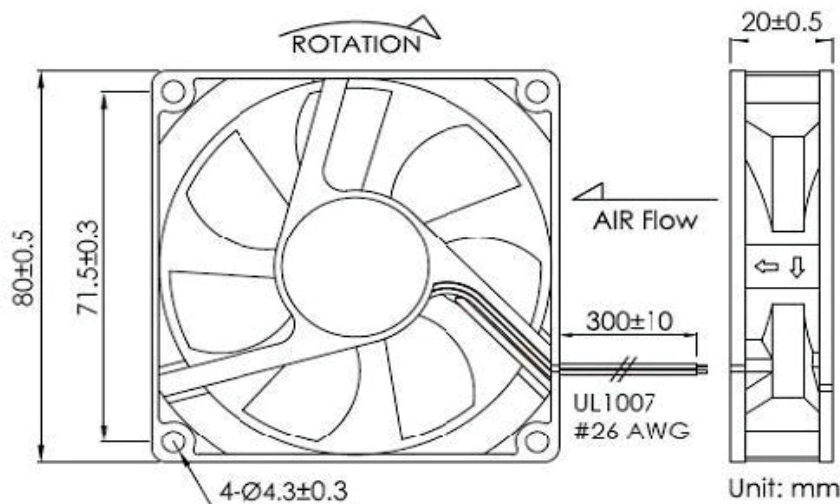
Environment

Operating Temp: Ambient non-condensing -15°C~+65°C
Storage Temp: -25°C~+80°C (at 65%RH)
Life Expectancy: L10 60K hours at 45°C, 45K hours at 65°C

▶ Performance P-Q Curves.



▶ Outline Dimensions.



Fan Accessories



Metal Fan Guards



Plastic Fan Guards



Plastic Fan Filter



Metal Fan Screens